

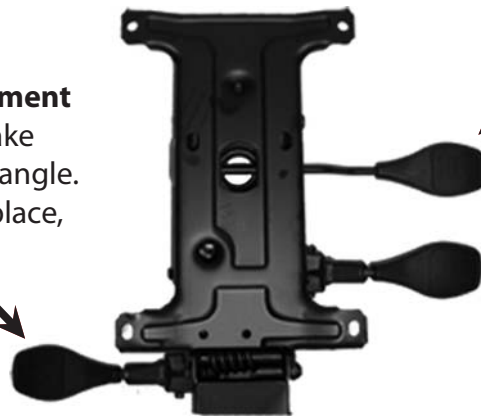
Mechanism Instructions - Q23

Seating Inc.

P.O. Box 898 ♦ 60 State Street ♦ Nunda, NY 14517 ♦ Tel: 800•468•2475 ♦ seatinginc.com

Backrest Angle Adjustment

Pull up on the tab to make adjustment to backrest angle. To lock the backrest in place, press the lever down



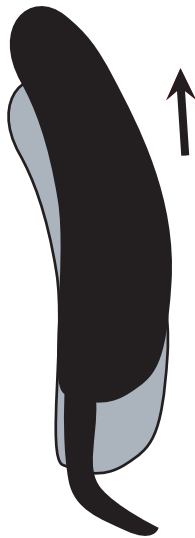
Pneumatic Lift Adjustment

Lift tab up towards the seat to activate height adjustment.

Seat Angle Adjustment

Pull up on the tab to make adjustments to the seat angle. To Lock the seat angle in place, press the lever down

Q23 Functional Task



Quick Set Back Height Adjustment

Step 1

Release Back Height

While sitting in the chair put both hands behind you under the back cushion of the chair. Pull the back cushion up to it's highest possible position - then let go and allow it to drop all the way down. Push gently down on the cushion to make sure it is has returned all the way to the bottom.

Step 2

Back Height Adjustment

While sitting in the chair put both hands behind you under the back cushion of the chair and pull up slowly until you hear the mechanism click. Let go and test the back height. Repeat the procedure until it has reached the desired height.