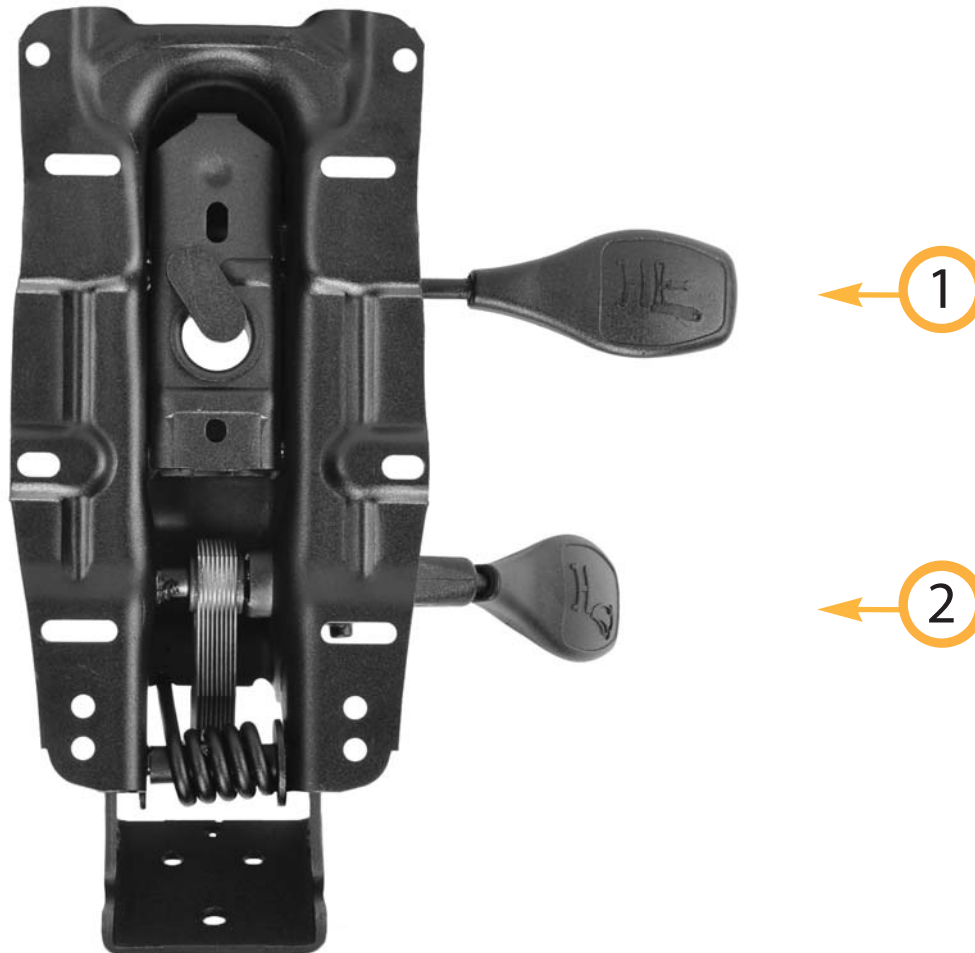




Seating Inc. | 60 N. State Street | PO Box 898 | Nunda, NY 14517 | 800.468.2475 | sales@seatinginc.com

Posture Back (Q22) Mechanism Instructions



- ① **Pneumatic Lift Adjustment:**
Lift lever towards seat to activate height adjustment.
- ② **Back Rest Angle Adjustment:**
Pull up on lever to make adjustment to back rest angle.
To lock the back rest in place, press the lever down

All adjustments are made while seated.